

### **Junior Timer valve 0° LED+VDR with cable**

RADOX EM 104 2x0.75 bk 10m

Female straight

12...24 V AC/DC

LED and VDR

with cable sleeves

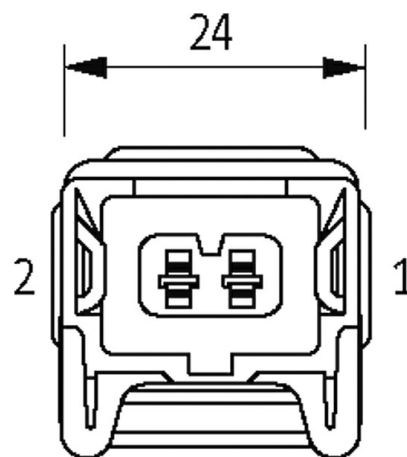
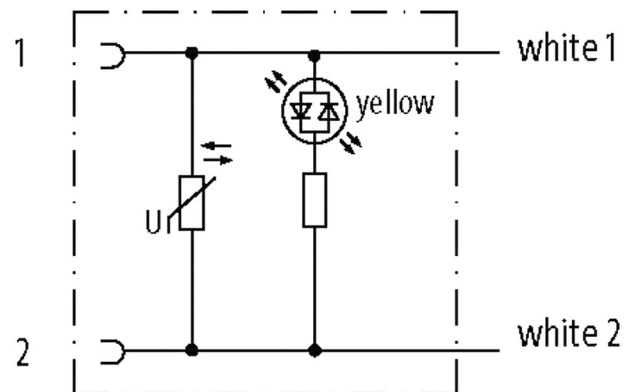
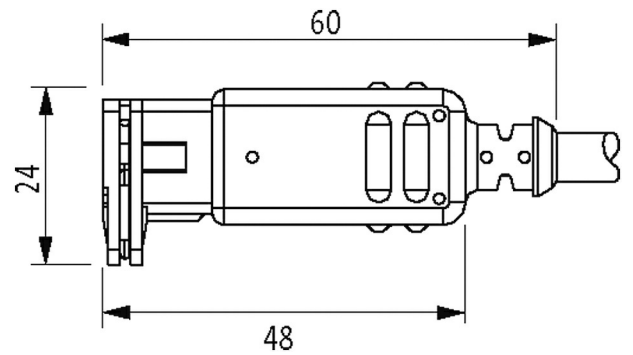
Plastic housings with good resistance against chemicals and oils.

The resistance to aggressive media should be individually tested for your application. Further details on request.

Further cable lengths on request.

### **[Link to Product](#)**

**Illustration**



Product may differ from Image

**Form**

Form 70061

**General data**

Pollution Degree	3
Stripping length (jacket)	50 mm

**Cables**

Cable identification	R21
Approval (cable)	DIN EN 45545-2, CE conform
Cable weight [g/m]	48,40
Material (wire)	Cu wire, tin plated
Resistor (core)	max. 26 $\Omega$ /km (20 °C)
Single wire $\varnothing$ (core)	0.23 mm
Construction (core)	19× 0.23 mm
Diameter (core)	2× 0.75 mm <sup>2</sup>
AWG	similar to AWG 18
Material (wire isolation)	Radox EI 303
Wire- $\varnothing$ incl. isolation	1.62 mm $\pm$ 5%
Color/numbering of wires	wh (bk num)
Stranding combination	2 wires twisted
Shield	no
Material (jacket)	Radox EM 104
Outer- $\varnothing$ (jacket)	4.75 mm $\pm$ 5%
Color (jacket)	black
Nominal voltage	600/1000 V AC
Test voltage	3500 V AC
Current load capacity	according to DIN VDE 0298-4
Temperature range (fixed)	-50...+120 °C
Temperature range (mobile)	-25...+90 °C
Bend radius (fixed)	3× outer- $\varnothing$
Bend radius (moving)	4× outer- $\varnothing$
Jacket Color	black

**Technical Data**

Operating voltage	12...24 V AC/DC
Rated surge voltage	0.8 kV
Operating current per contact	max. 4 A
LED display	yellow
suitable for corrugated tube (internal $\varnothing$ )	10 mm
Housing	Black plastic, flame retardant
Additional suppressor	VDR

**Commercial data**

country of origin	DE
customs tariff number	85444290
EAN	4048879698962
eClass	27279218
Packaging unit	1